

GWP Stainless Steel Overlay Door Pivot Hinge

Features

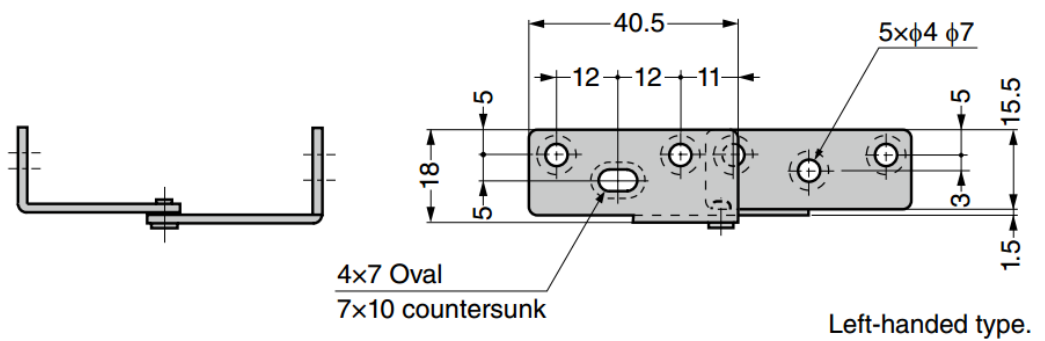
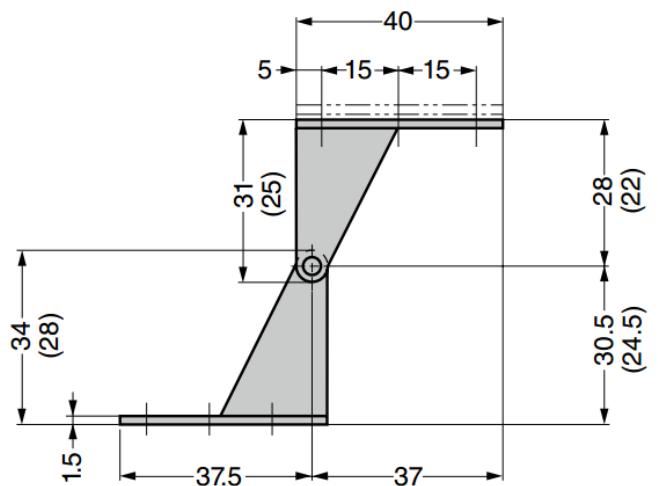
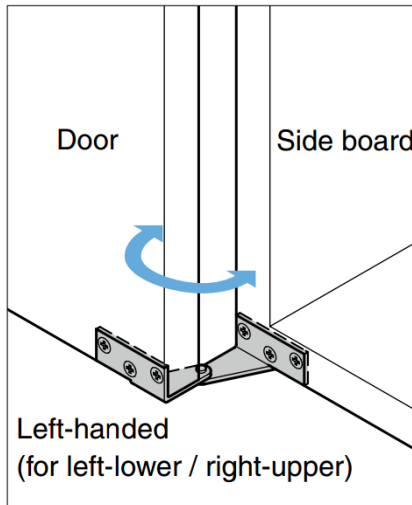
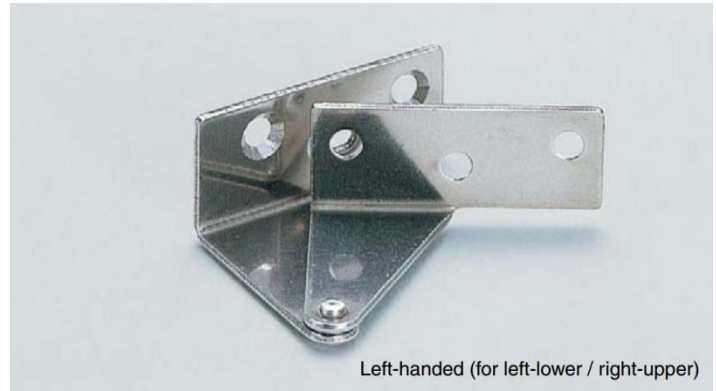
- Recommended for use in pairs

Material

- Stainless steel 430, plain finish

Notes

- Dimensions in () refers to GWP3



Part No.	Type	Door Width	Door Height	Door Thickness	Door Weight (per set)
GWP1R	Right-handed (for right-lower, left-upper)	Max. 300	Max. 700	Max. 24	Max. 1.8 kg
GWP1L	Left-handed (for left-lower, right-upper)				
GWP3R	Right-handed (for right-lower, left-upper)			Max. 18	
GWP3L	Left-handed (for left-lower, right-upper)				